



# PURETRONICS

## OPERATING MANUAL

# HIGH VOLTAGE TESTER 3KV / 6KV

Visit us : [www.pureindia.net](http://www.pureindia.net)

### M/S PURETRONICS

A-37, VIRWANI INDUSTRIAL ESTATE,  
WESTERN EXPRESS HIGH WAY,  
GOREGAON (EAST),  
MUMBAI - 400 063. INDIA



: [022-2872 8040](tel:022-28728040)



: [91-22-2877 2067](tel:91-22-28772067)



: For technical support : [service@pureindia.net](mailto:service@pureindia.net)  
For marketing : [marketing@pureindia.net](mailto:marketing@pureindia.net)

# INSTRUCTION MANUAL FOR HIGH VOLTAGE TESTER

## 3KV – 2 Amp/6kv – 1 Amp

### OPERATING DETAILS

INPUT : 230/240 Volts 1 Ph 50 Hz AC

OUTPUT : 0-3 kV / 0 – 6 kv One Side Grounded.

MOTORISED CONTROLS

### OPERATING ISTRUCTIONS

Initially place the set on a flat surface away from other equipments. Now connect the system to a 3 pin system with proper earthing.. Select 3 kv or 6 kvInitially place the set on a flat surface away from other equipments. Now connect the system to a 3 pin system with proper earthing. Select 3 kv or 6 kv. **If you have selected 3 kv – select 2 ampere / if 6kv is selected then select 1 Ampere.** Connect the test material - the **RED** terminal is the HT and **GREEN** terminal the ground. Switch on the unit. The corresponding LED glows. Bring the unit to zero volt by pressing the LOWER button. This will activate the zero interlock. The HT will start only if zero interlock is activated. Switch the buzzer on if needed. Now push HT ON. The HT ON LED will glow and the buzzer can be heard. Raise the voltage by pressing RAISE. Wait when desired voltage is attained. The KV will be shown on the kv meter and the leakage current on the Ampere meter. **The KV meter is a DUAL SCALE METER for 3 kv and 6 kv.** If material withstands test , push HT OFF push button to stop the test. In case material fails, the unit will trip automatically. The test can be terminated at any time by pressing PUSH HT OFF. When HT stops HT ON LED will go off – buzzer will go off and HT OFF LED will glow. Bring the voltage to zero by pushing lower button. Switch off the unit.

### SAFETY FEATURES:

-3 Pin System of Live , Neutral And Earth. Ensure Proper Earthing at your end.

-MCB

-Zero Interlock Provided

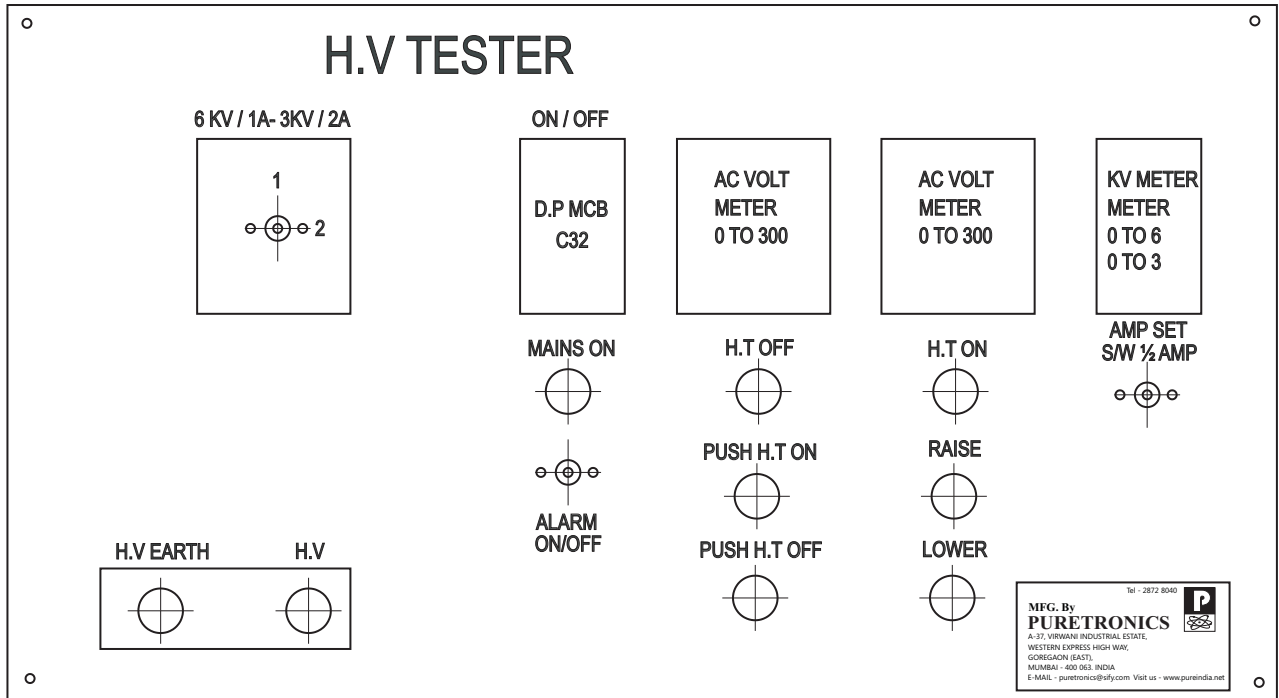
-Fast acting tripping Device

### SAFETY WARNING

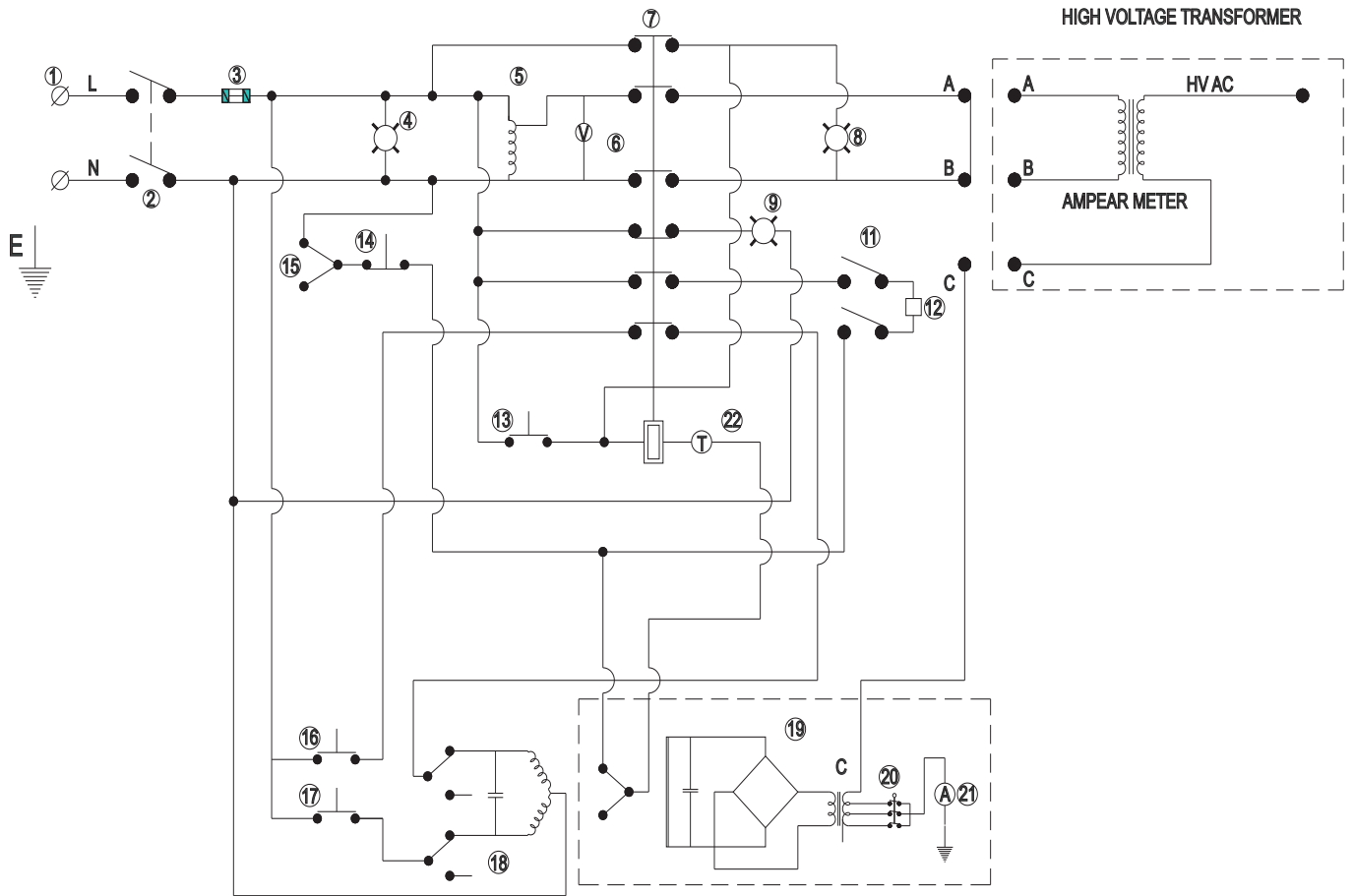
**We as Manufacturers have taken all care to ensure safety of the equipment and the operator. A good earthing is the base for safety of operator and equipment. It is the user's responsibility that the system is connected to a good earthing.**

**The equipment is a high voltage equipment. Ensure all precautions as to be taken as while working with high voltage.**

# FRONT VIEW OF H.V TESTER



# ELECTRICAL DIAGRAMME



## 1) DESCRIPTION OF PANEL FRONT SIDE.

Sr.No.	DESCRIPTION
21.	ANALOGUE AMP METER
20.	AMP SELECTOR SWITCH
17.	LOWER PUSE BUTTON
16.	RAISE PUSE BUTTON
14.	HT.OFF PUSH BUTTON
13.	HT.ON PUSH BUTTON
11.	ALARM ON/OFF SWITCH
9.	HT. OFF INDICATION LAMP
8.	HT. ON INDICATION LAMP / TOWER LAMP
6.	ANLOGE KV.METER
4.	MAINS ON INDICATION LAMP
1.	INPUT TERMINALS

## 2) DESCRIPTION OF PANEL INSIDE.

Sr.No.	DESCRIPTION
1.	DIGITAL TIMER ( SELECTABLE)
19.	TRIPPING CIRCUIT
18.	MOTOR FOR DRIVING AUTO TRANSFORMER
15.	ZERO INTERLOCKING MICRO SWITCH
12.	ALARM -96 x 96
10.	HT. TRANSFORMER
7.	AIR BREAK CONTACTOR
5.	VARIABLE VOLTAGE AUTO TRANSFORMER
2.	INPUT POWER CONTROL SWITCH
3.	WIRE FUSE